

Product information presented here reflects conditions at time of publication. Consult factory regarding discrepancies or inconsistencies.



PIONEER

COMPARE THESE FEATURES

- THERMOPLASTIC AND STAINLESS STEEL CONSTRUCTION
- NON-CLOGGING VORTEX IMPELLER
- PASSES 10MM SOLIDS
- AUTOMATIC AND NON-AUTOMATIC MODEL AVAILABLE
- THERMAL-OVERLOAD PROTECTED AGAINST MOTOR BURNOUT
- ROTARY SEALS FOR LONG LIFE
- DESIGNED FOR PUMPING WATER UP TO 43°C
- OIL FREE
- 3 PRONG GROUNDED PLUG
- AUTOMATIC UNIT: ON POINT 194mm
OFF POINT 92mm
- 100% FACTORY TESTED



MODELS AVAILABLE
Automatic or Nonautomatic

Model 72

AUTOMATIC MODEL

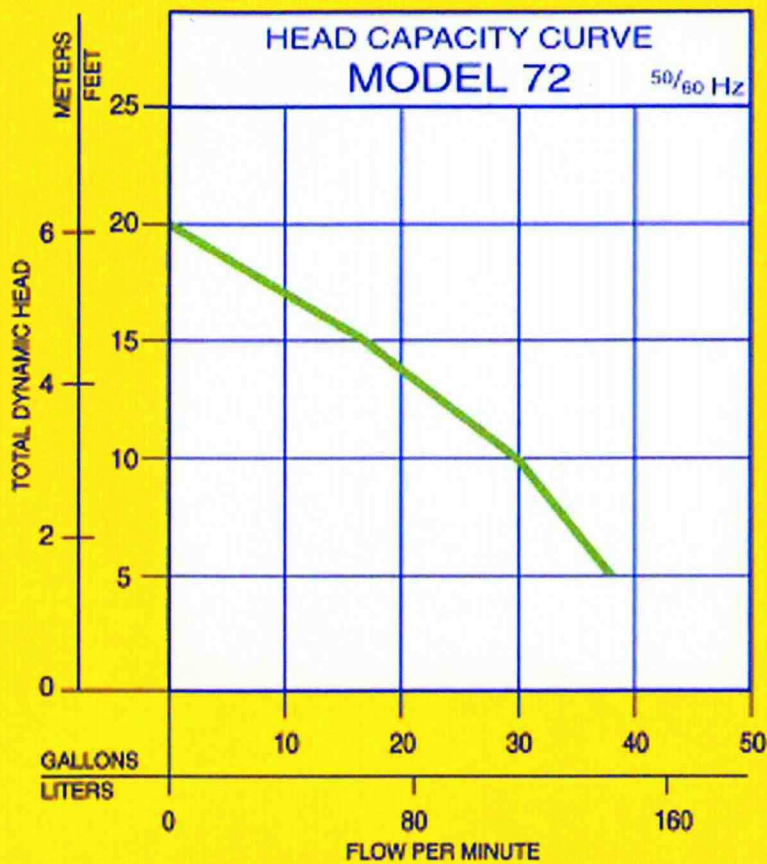
AQUA-MATE

SUBMERSIBLE PUMP for DEWATERING (SUMP)

PASSES 10mm SOLIDS
38mm (1-1/2") DISCHARGE

ALL MODELS ARE
COMPLETELY SUBMERSIBLE
HERMETICALLY SEALED

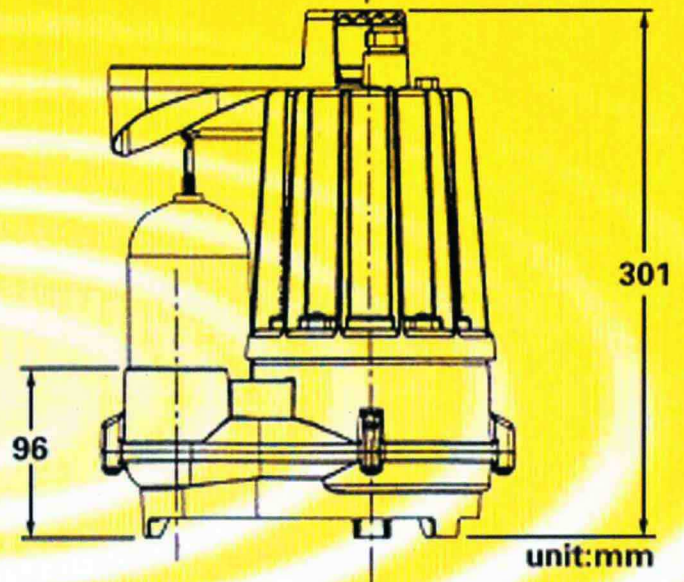
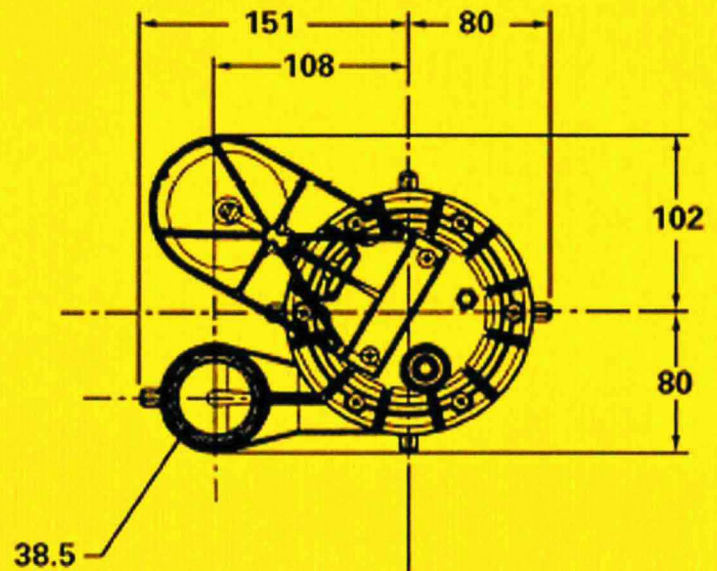
Watertight dust tight.



Performance			
Vertical lift of pump		Capacity per minute	
Feet	Meters	Gallons	Liters
5	1.5	38	144
10	3.1	30	114
15	4.6	14	53
20	6.0	0	0

CONSULT FACTORY FOR SPECIAL APPLICATIONS

- Variable level Float Switches available.
- Variable level long cycle systems available.
- Available with special cord lengths of 25', 35' and 50'.
- Alarm system available.
- Duplex systems available.



Specification

Model	Volts/Phase	Hz	Mode	Amps
M72	115 / 1	60	Auto	3.1
N72	115 / 1	60	Non-Auto	3.1
D72	230 / 1	60	Auto	1.5
E72	230 / 1	60	Non-Auto	1.5
U72	220 / 1	50	Auto	1.5
V72	220 / 1	50	Non-Auto	1.5



PIONEER