

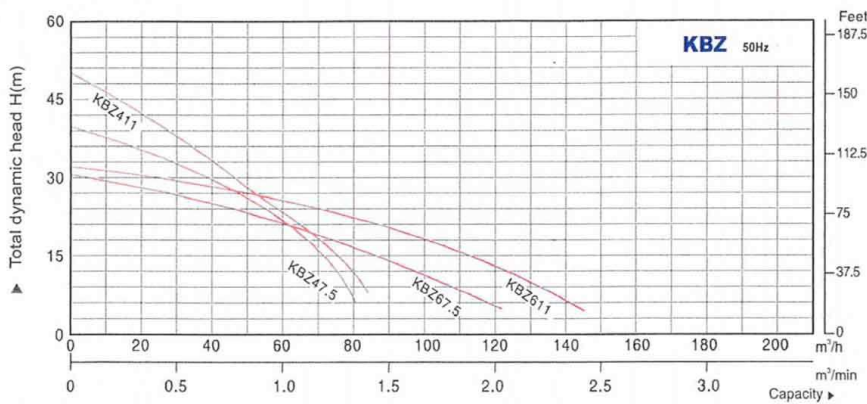
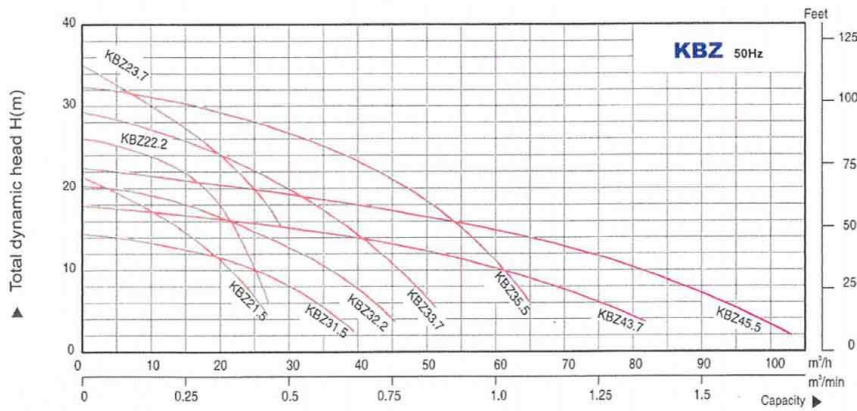


SUBMERSIBLE DEWATERING PUMP KBZ series

PIONEER

- The rigid cast iron pump body for long-lasting durability;
- The high pressure-endurance mechanical seal endures water pressure of up to 0.5Mpa, made the KBZ pumps usable at greater depth;
- Efficient motor cooling by a side-flow channel, space economy by a top outlet.

Performance



Application

- Civil engineering
- Mines, quarries, coal ore & slurries
- Sewage treatment plants
- General pumping purposes

Model (50Hz)	Outlet mm	Motor power Kw	Motor power Hp	Max head m	Max capacity m³/h	Max capacity m³/min	Impeller Passage mm	N.W. kgs	G.W. kg	Packing mm
KBZ21.5	50	1.5	2	22	27	0.45	8.5	34.5	37.5	590x290x250
KBZ22.2	50	2.2	3	26	27	0.45	8.5	36	39	590x290x250
KBZ23.7	50	3.7	5	34	29	0.48	8.5	60	65	684x334x397
KBZ31.5	80	1.5	2	14.5	40	0.67	8.5	34.5	37	590x290x250
KBZ32.2	80	2.2	3	21	50	0.83	8.5	36	39	590x290x250
KBZ33.7	80	3.7	5	29	55	0.92	8.5	60	65	684x334x397
KBZ35.5	80	5.5	7.5	32	70	1.17	8.5	77	84	731x366x405
KBZ43.7	100	3.7	5	18	90	1.5	8.5	61	66	702x344x397
KBZ45.5	100	5.5	7.5	23	105	1.75	8.5	78	85	746x366x405
KBZ47.5	100	7.5	10	40	84	1.4	11.5	105	114	824x390x459
KBZ411	100	11	15	48.5	86.4	1.44	11.5	130	140	867x430x495
KBZ67.5	150	7.5	10	31	124.8	2.08	19.5	160	114	850x390x459
KBZ611	150	11	15	32	147	2.45	19.5	133	143	867x430x495



PIONEER

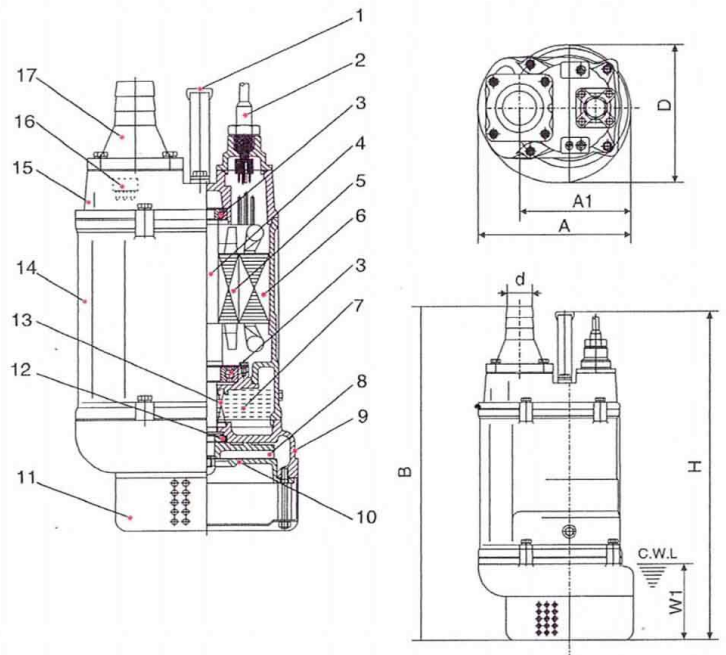
SUBMERSIBLE DEWATERING PUMP KBZ series

Specification

- Capacity: up to 147m³/h
- Head: up to 48.5m
- Water temperature: up to 40°C
- Max. water depth: 48.5m
- Cable: Length 8m
- Power: 1.5~11Kw
- Power supply: 3phase, 50Hz 380v+/-10%
- Insulation class: F
- Protection class: Ip68
- Discharge: 50mm(2")~150mm(6")

DIMENSIONS

Item No.	Parts	Material
1	Handle	Rubber & Steel
2	Cable	2PNCT-F
3	Bearing	Ball Bearing
4	Shaft	AISI420SS
5	Rotor	
6	Stator	
7	Lube oil	
8	Impeller	High chrome alloy or ductile iron
9	Pump body	Cast Iron
10	End plate	Ductile Iron
11	Filter	Steel
12	Oil seal bracket	
13	Mechanical seal	Sic-sic/Carbon-ceramics
14	Motor body	Cast iron
15	Upper cover	Cast iron
16	Motor protector	
17	Hose coupling	Cast iron



Model	d	A	A1	B	D	H	W1
KBZ21.5	50	235	173	517	216	486	120
KBZ22.2	80	235	173	517	216	486	120
KBZ23.7	50	235	173	517	216	486	120
KBZ31.5	80	235	173	517	216	486	120
KBZ32.2	50	283	208	628	252	638	150
KBZ33.7	80	283	208	628	252	638	150
MBZ35.5	100	283	208	642	252	638	150
KBZ43.7	80	306	218	671	259	688	150
KBZ45.5	100	306	218	686	259	688	150
KBZ47.5	100	330	240	764	314	676	190
KBZ411	100	373	255	807	350	695	190
KBZ67.5	150	330	240	790	314	676	190
KBZ611	150	373	255	807	350	695	190