

BUILDING AND INDUSTRY WATER SUPPLY / 樓宇及工業供水

Split Casing Pump – SCP Series

中開泵 – SCP 系列



SCP Series

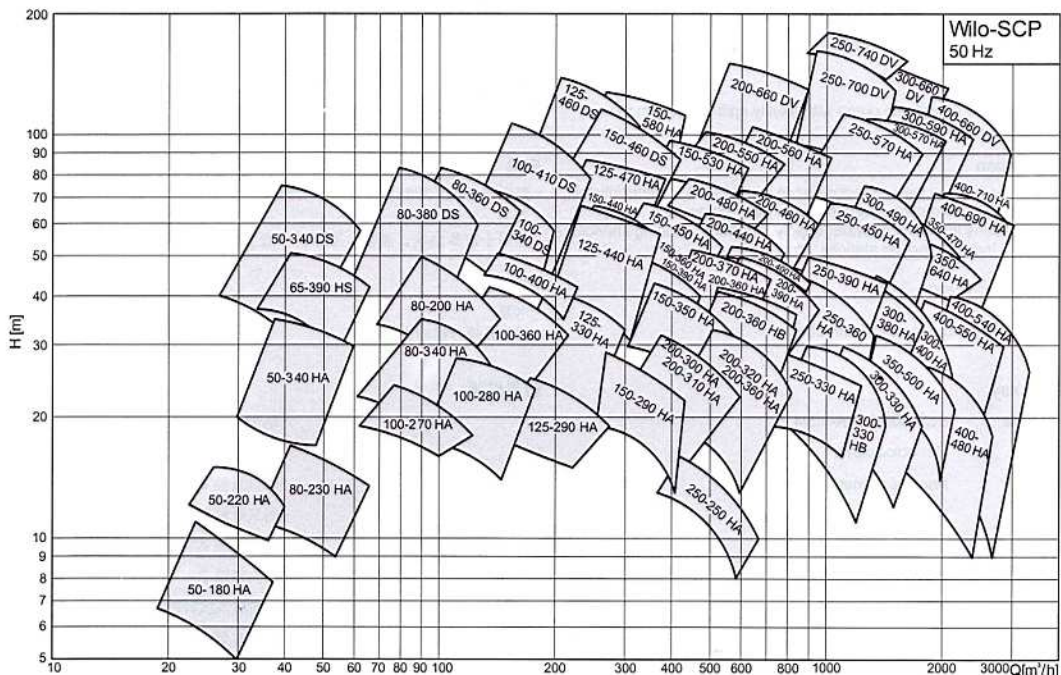
Feature

- Single or two-stage construction available
- Permanently lubricated bearings
- Easy maintenance (without removing the pressure or suction pipes)
- Low NPSH value (thanks to double suction impeller)
- Longer service life (load is distributed to bearings)
- Fluid temperature (mechanical seal) [°C]: -20 - +120
- Nominal connection diameters DN:
 65 - 500 (on suction side),
 50 - 400 (on pressure side)
- Pump housing (standard): cast iron EN-GJL-250
- Pump housing (special version): spheroidal cast iron
- Impeller (standard): G-CuSn5ZnPb
- Impeller (special version): grey cast iron, stainless steel
- Stationary wear rings: G-CuPb10Sn
- Pump shaft: X12Cr13
- Mechanical seal: carbon / silicon carbide / EPDM

Application

- Pumping heating water in accordance with VDI 2035 water/glycol mixtures, cooling/cold water and secondary hot water
- Applications in municipal water supply, irrigation, building services, general industry, power stations, etc.

Performance Curve



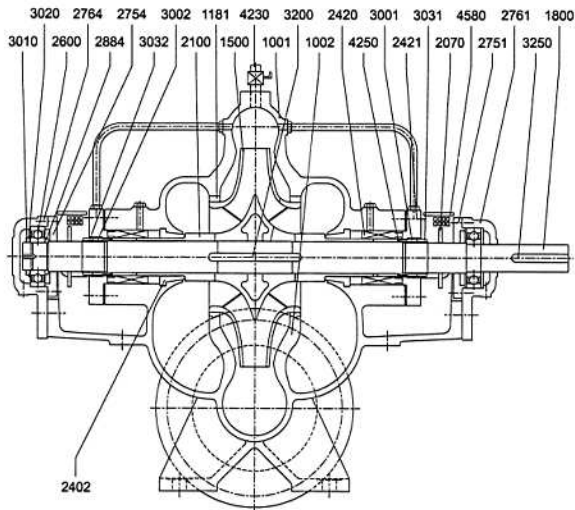
** The company reserves the right to alter the above information without prior notice.

BUILDING AND INDUSTRY WATER SUPPLY / 樓宇及工業供水

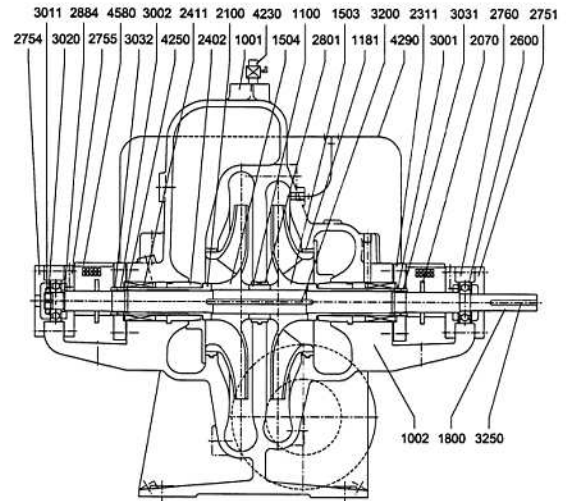
Split Casing Pump – SCP Series

中開泵 – SCP 系列

Section Drawing



Single-stage pump with mechanical seal



Two-stage pump with mechanical seal

Single-stage Pump with Mechanical Seal	
No.	Description
1001	Housing, upper part
1002	Housing, lower part
1181	Stationary wear ring
1500	Impeller
1800	Shaft
2070	Water spay ring
2100	Shaft sleeve
2402	Counter ring
2420	Mechanical seal
2421	Cover for mechanical seal
2600	Grooved ball bearing
2751	Bearing housing, outside (drive side)
2754	Bearing housing, outside (non-drive side)
2761	Bearing housing (drive side)
2764	Bearing housing (non-drive side)
2884	Support ring
3001	Support nut (left)
3002	Support nut (right)
3010	Counter nut
3020	Safety disk
3031	Counter nut for shaft sleeve (left)
3032	Counter nut for shaft sleeve (right)
3200	Key for impeller
3250	Key for coupling
4230	Ventilation cock
4250	O-ring
4580	Protection cover

Two-stage Pump with Mechanical Seal	
No.	Description
1001	Housing, upper part
1002	Housing, lower part
1100	Spacer ring
1181	Stationary wearing
1503	Impeller, first stage (right)
1504	Impeller, second stage (left)
1800	Shaft
2070	Water spay ring
2100	Shaft sleeve
2311	Cover for mechanical seal
2402	Counter ring
2411	Mechanical seal
2600	Grooved ball bearing
2751	Bearing housing, outside (drive side)
2754	Bearing housing, outside (non-drive side)
2755	Bearing housing, inside (drive and non-drive side)
2760	Bearing housing
2801	Intermediate bearing sleeve
2884	Support ring
3001	Support nut (left)
3002	Support nut (right)
3011	Counter nut
3020	Safety disk
3031	Counter nut for shaft sleeve (left)
3032	Counter nut for shaft sleeve (right)
3200	Key for impeller
3250	Key for coupling
4230	Ventilation cock
4250	O-ring
4290	Flushing pipe for mechanical seal
4580	Protection cover